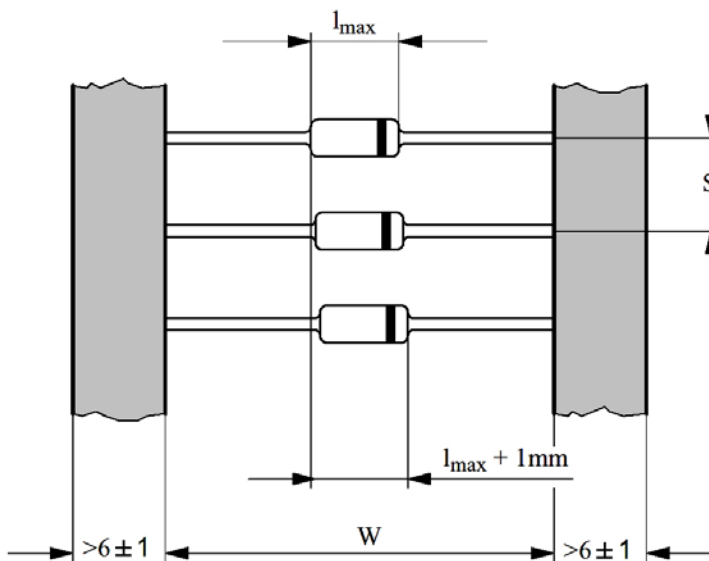




Axial Lead Components

Diodes and rectifiers with axial leads are normally delivered in taped form according to IEC 286-1(see below). The cathode side is designated by a colored tape. Taped devices are normally delivered in ammo-boxes (Ammo pack). Delivery on reels is available on request. For details please contact factory.

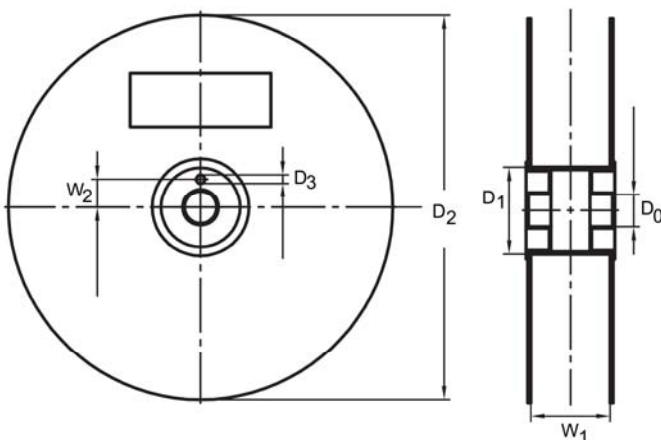


S1 = 5 ± 0.5 mm for devices with diameter $d < 4.5$ mm
 = 10 ± 0.5 mm for devices with diameter $d > 4.5$ mm

W = 53 ± 2 mm for normal taped form
 = $26 + 1.5$ mm for GPS version

Allowable deviation above 10 taped steps ± 2 mm.

Reel Specification



Description	Symbol	Reel size
Arbor hole diameter	D ₀	17±1 mm
Core diameter	D ₁	76±2 mm
Reel diameter	D ₂	356±4 mm
Drive hole diameter	D ₃	10±0.5 mm
Reel width	W ₁	73±2 mm
Drive/arbore hole spacing	W ₂	26±1 mm



Taping in Ammo-boxes Pack

Package	Box size in mm	Box (EA)	Carton size in mm	Carton (EA)	N.W (Kg)	G.W (Kg)
DO-34	250×76×85	5,000	405×270×375	100,000	15	16
DO-35	250×76×85	5,000	405×270×375	100,000	16	17
DO-41	250×76×85	2,500	405×270×375	50,000	17	18
DO-15	250×76×85	1,500	405×270×375	30,000	11	12
DO-41(Plastic)	250×76×85	2,500	405×270×375	50,000	18	19
DO-201AD	250×76×85	500	405×270×375	10,000	12	13

Taping in Reel Pack

Package	Reel size in mm	Reel (EA)	Carton size in mm	Carton (EA)	N.W (Kg)	G.W (Kg)
DO-34	Φ356×73	10,000	380×380×420	50,000	10	11
DO-35	Φ356×73	10,000	380×380×420	50,000	11	12
DO-41	Φ356×73	5,000	380×380×420	25,000	11	12
DO-15	Φ356×73	4,000	380×380×420	20,000	11	12
DO-41(Plastic)	Φ356×73	5,000	380×380×420	25,000	12	13
DO-201AD	Φ356×73	1,250	380×380×420	6,250	8	9

Bulk Pack

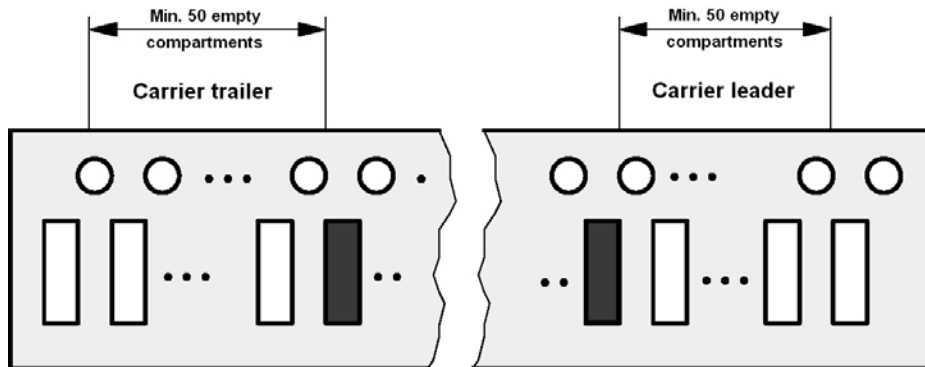
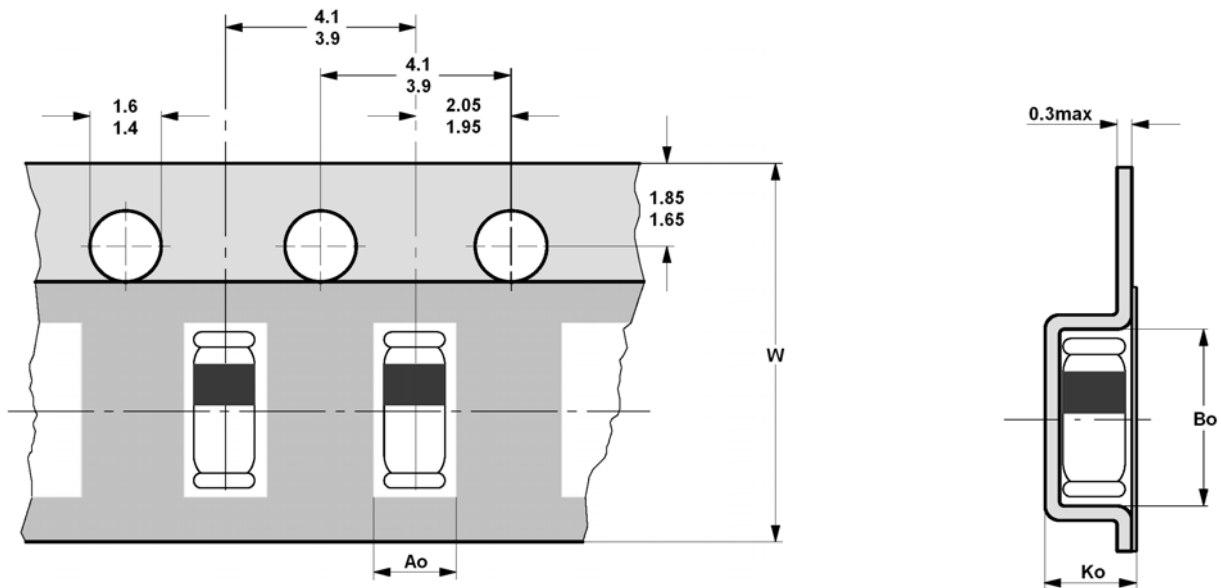
Package	Box size in mm	Box (EA)	Carton size in mm	Carton (EA)	N.W (Kg)	G.W (Kg)
DO-34	180×155×78	10,000	430×330×210	100,000	14	15
DO-35	180×155×78	10,000	430×330×210	100,000	15	16
DO-41	180×155×78	5,000	430×330×210	50,000	17	18
DO-41(Plastic)	185×80×20	1,000	430×330×210	50,000	18	19
DO-201AD	185×80×20	250	430×330×210	12,500	12	13



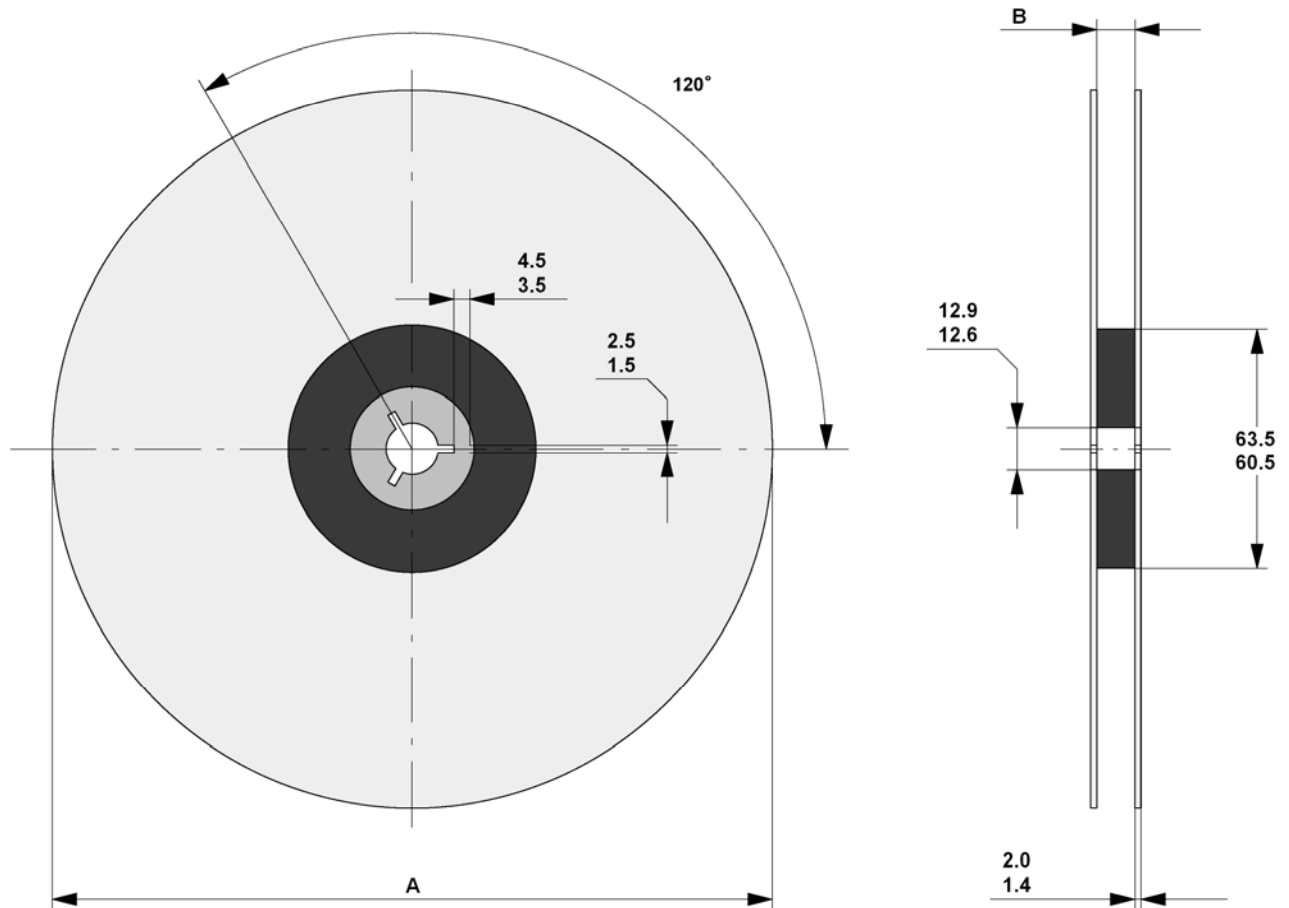
Surface-mounted Devices (SMDs)

SMDs are normally delivered taped on blister tape and reeled according to IEC 286-3. The mounting side of the component is oriented to the bottom side of the tape. For components with two terminations, the cathode side is oriented to the sprocket hole. For quantities per reel, see below.

Case type	Quantity	Reel Size in mm (Diameter)	W Tape Width in mm	Ao in mm	Bo in mm	Ko in mm
Micro MELF	2500	180	8	1.5max	2.3max	1.5max
SOD-80 (Mini MELF)	2500	180	8	1.7max	4.0max	1.7max
Quadro MELF	2500	180	8	1.7max	4.0max	1.7max
MELF (LL-41)	5000	330	12	3.2max	5.5max	3.2max
DO-214AC (SMA)	7500	330	12	3.2max	5.5max	3.2max
DO-214AA (SMB)	3000	330	12	4.5max	6.0max	3.2max
SOD-123	2500	180	8	1.7max	4.0max	1.7max
SOD-323	2500	180	8	1.5max	2.3max	1.5max



Excel Semiconductor



A: 180±2 mm or 330±2 mm

B: 8.4 to 10.4 mm or 12.4 to 14.4 mm

Taping Pack

Package	Box size in mm	Box (EA)	Carton size in mm	Carton (EA)	N.W (Kg)	G.W (Kg)
Micro MELF	187×121×187	25,000	377×275×216	100,000	4.5	5.5
SOD80 (Mini MELF)	187×121×187	25,000	377×275×216	100,000	5.5	6.5
Quadro MELF	187×121×187	25,000	377×275×216	100,000	5.5	6.5
MELF(LL-41)	339×337×42	10,000	465×350×355	100,000	21	22
DO-214AC (SMA)	339×337×42	15,000	465×350×355	120,000	14	16
DO-214AA (SMB)	339×337×42	6,000	465×350×355	48,000	10	13
SOD123	187×121×187	25,000	377×275×216	100,000	4.5	5.5
SOD323	187×121×187	25,000	377×275×216	100,000	4.5	5.5

Excel Semiconductor