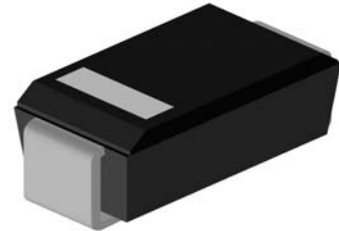




Zener diode

Features

1. 1.0W power dissipation
2. For surface mounted applications
3. Zener voltage 3.6V to 36V



Applications

Voltage regulation

Absolute Maximum Ratings

$T_j=25^{\circ}\text{C}$

Parameter	Test Conditions	Type	Symbol	Value	Unit
Power dissipation	$T_{amb}\leq 50^{\circ}\text{C}$		P_d	1	W
Z-current			I_{ZM}	P_d/V_Z	mA
Junction temperature			T_j	150	$^{\circ}\text{C}$
Storage temperature range			T_{stg}	-55~+150	$^{\circ}\text{C}$

Stresses exceeding maximum ratings may damage the device. Maximum ratings are stress ratings only. Functional operation above the recommended operating conditions is not implied. Extended exposure to stresses above the recommended operating conditions may affect device reliability.

Electrical Characteristics

$T_j=25^{\circ}\text{C}$

Parameter	Test Conditions	Type	Symbol	Min	Typ	Max	Unit
Forward voltage	$I_F=200\text{mA}$		V_F			1.2	V

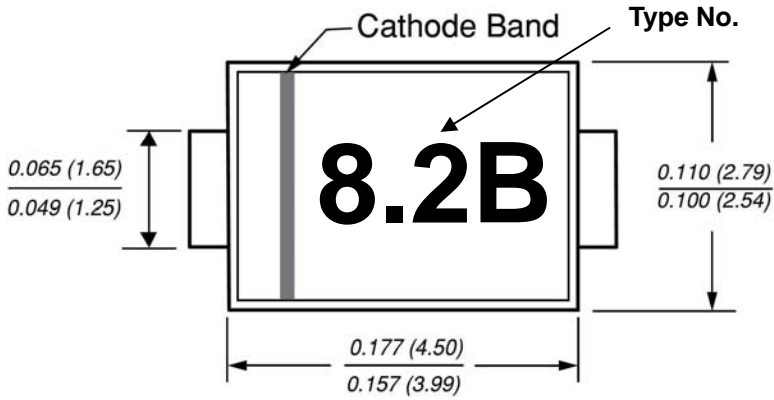


Type	Device marking	Zener voltage subdivision			Operating resistance		Reverse current	
		V_Z (V)			Z_Z (Ω)		I_R (μ A)	
		Min	Max	I_Z (mA)	Max	I_Z (mA)	Max	V_R (V)
PTZ3.6B	3.6B	3.60	4.00	40	15	40	60	1.0
PTZ3.9B	3.9B	3.90	4.40	40	15	40	40	1.0
PTZ4.3B	4.3B	4.30	4.80	40	15	40	20	1.0
PTZ4.7B	4.7B	4.70	5.20	40	10	40	20	1.0
PTZ5.1B	5.1B	5.10	5.70	40	8	40	20	1.5
PTZ5.6B	5.6B	5.60	6.30	40	8	40	20	2.5
PTZ6.2B	6.2B	6.20	7.00	40	6	40	20	3.0
PTZ6.8B	6.8B	6.80	7.70	40	6	40	20	3.5
PTZ7.5B	7.5B	7.50	8.40	40	4	40	20	4.0
PTZ8.2B	8.2B	8.20	9.30	40	4	40	20	5.0
PTZ9.1B	9.1B	9.10	10.2	40	6	40	20	6.0
PTZ10B	10B	10.0	11.2	40	6	40	10	7.0
PTZ11B	11B	11.0	12.3	20	8	20	10	8.0
PTZ12B	12B	12.0	13.5	20	8	20	10	9.0
PTZ13B	13B	13.3	15.0	20	10	20	10	10.0
PTZ15B	15B	14.7	16.5	20	10	20	10	11.0
PTZ16B	16B	16.2	18.3	20	12	20	10	12.0
PTZ18B	18B	18.0	20.3	20	12	20	10	13.0
PTZ20B	20B	20.0	22.4	20	14	20	10	15.0
PTZ22B	22B	22.0	24.5	10	14	10	10	17.0
PTZ24B	24B	24.0	27.6	10	16	10	10	19.0
PTZ27B	27B	27.0	30.8	10	16	10	10	21.0
PTZ30B	30B	30.0	34.0	10	18	10	10	23.0
PTZ33B	33B	33.0	37.0	10	18	10	10	25.0
PTZ36B	36B	36.0	40.0	10	20	10	10	27.0

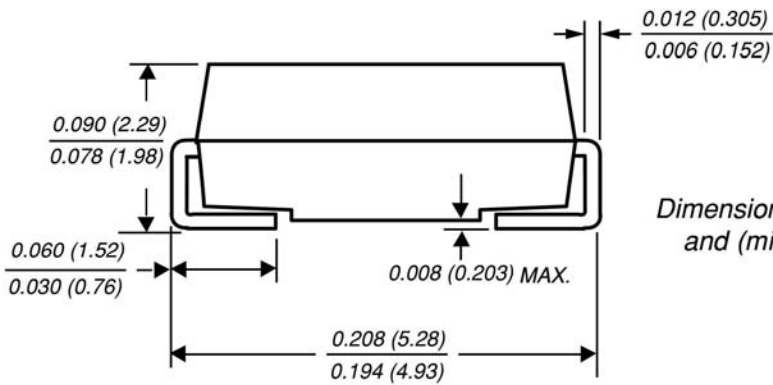
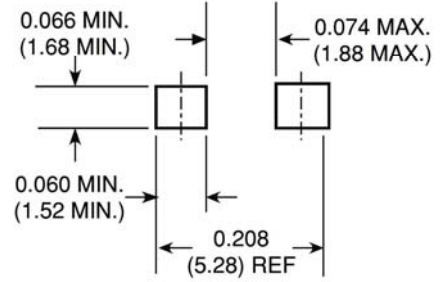
1. The Zener voltage (V_Z) is measured 40ms after power is supplied.
2. The operating resistances (Z_Z) are measured by superimposing a minute alternating current on the regulated current (I_Z).



Dimensions in inches (mm)



Mounting Pad Layout



Dimensions in inches and (millimeters)

DO-214AC (SMA)