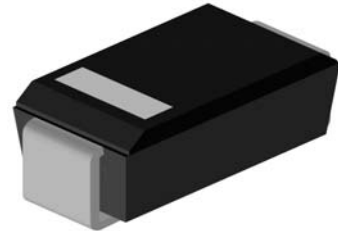




Zener diode

Features

1. Glass passivated junction
2. High reliability
3. Zener voltage 3.3V to 39V
4. Fits onto 5mm SMD footpads



Applications

Voltage stabilization

Absolute Maximum Ratings

$T_j=25^{\circ}\text{C}$

Parameter	Test Conditions	Type	Symbol	Value	Unit
Power dissipation	$T_{amb}=60^{\circ}\text{C}$		P_V	3	W
Junction temperature			T_j	150	$^{\circ}\text{C}$
Storage temperature range			T_{stg}	-65~+150	$^{\circ}\text{C}$

Stresses exceeding maximum ratings may damage the device. Maximum ratings are stress ratings only. Functional operation above the recommended operating conditions is not implied. Extended exposure to stresses above the recommended operating conditions may affect device reliability.

Electrical Characteristics

$T_j=25^{\circ}\text{C}$

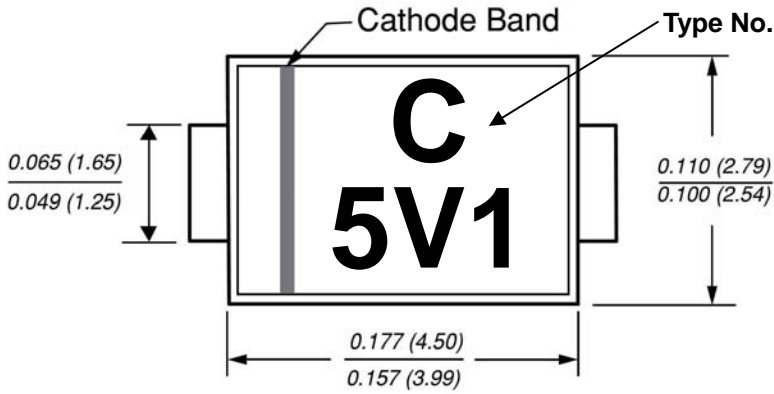
Parameter	Test Conditions	Type	Symbol	Min	Typ	Max	Unit
Forward voltage	$I_F=200\text{mA}$		V_F			1.2	V



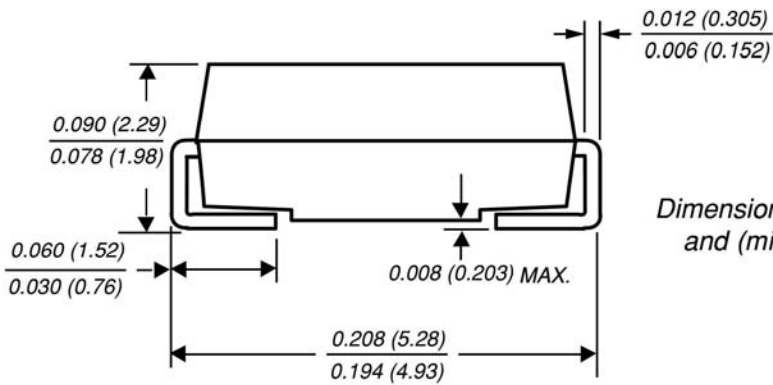
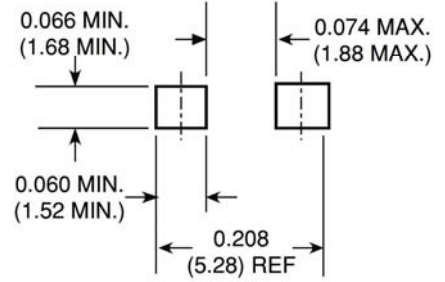
Type	Device marking	V_{Znom}	V_{Zmin}	V_{Zmax}	I_{ZT} for r_{zT}		r_{zjK} at I_{ZK}		I_R at V_R	
		V	V	V	mA	Ω	Ω	mA	μA	V
SMA5C3V3	C3V3	3.3	3.1	3.5	80	<20	<400	1	<40	1
SMA5C3V6	C3V6	3.6	3.4	3.8	60	<20	<500	1	<20	1
SMA5C3V9	C3V9	3.9	3.7	4.1	60	<15	<500	1	<10	1
SMA5C4V3	C4V3	4.3	4.0	4.6	50	<13	<500	1	<3	1
SMA5C4V7	C4V7	4.7	4.4	5.0	45	<13	<600	1	<3	1
SMA5C5V1	C5V1	5.1	4.8	5.4	45	<10	<500	1	<1	1.5
SMA5C5V6	C5V6	5.6	5.2	6.0	45	<7	<400	1	<1	2
SMA5C6V2	C6V2	6.2	5.8	6.6	35	<4	<300	1	<1	3
SMA5C6V8	C6V8	6.8	6.4	7.2	35	<3.5	<300	1	<1	4
SMA5C7V5	C7V5	7.5	7.0	7.9	35	<3	<200	0.5	<1	4.5
SMA5C8V2	C8V2	8.2	7.7	8.7	25	<5	<200	0.5	<1	6.2
SMA5C9V1	C9V1	9.1	8.5	9.6	25	<5	<200	0.5	<1	6.8
SMA5C10	C10	10	9.4	10.6	25	<7	<200	0.5	<0.5	7
SMA5C11	C11	11	10.4	11.6	20	<8	<300	0.5	<0.5	8.2
SMA5C12	C12	12	11.4	12.7	20	<9	<350	0.5	<0.5	9.1
SMA5C13	C13	13	12.4	14.1	20	<10	<400	0.5	<0.5	10
SMA5C15	C15	15	13.8	15.6	15	<15	<500	0.5	<0.5	11
SMA5C16	C16	16	15.3	17.1	15	<15	<500	0.5	<0.5	12
SMA5C18	C18	18	16.8	19.1	15	<20	<500	0.5	<0.5	13
SMA5C20	C20	20	18.8	21.2	10	<24	<600	0.5	<0.5	15
SMA5C22	C22	22	20.8	23.3	10	<25	<600	0.5	<0.5	16
SMA5C24	C24	24	22.8	25.6	10	<25	<600	0.5	<0.5	18
SMA5C27	C27	27	25.1	28.9	8	<30	<750	0.25	<0.5	20
SMA5C30	C30	30	28	32	8	<30	<1000	0.25	<0.5	22
SMA5C33	C33	33	31	35	8	<35	<1000	0.25	<0.5	24
SMA5C36	C36	36	34	38	8	<40	<1000	0.25	<0.5	27
SMA5C39	C39	39	37	41	6	<50	<1000	0.25	<0.5	30



Dimensions in inches (mm)



Mounting Pad Layout



Dimensions in inches and (millimeters)

DO-214AC (SMA)